

HMDX

ONE YEAR LIMITED WARRANTY

HMDX sells its products with the intent that they are free of defects in manufacture and workmanship for a period of one year from the date of original purchase, except as noted below. HMDX warrants that its products will be free of defects in material and workmanship under normal use and service. This warranty extends only to consumers and does not extend to Retailers.

To obtain warranty service on your HMDX product, contact a Consumer Relations Representative by telephone at **1.800.753-3000** or email cservice@hmdxaudio.com for assistance. Please make sure to have the model number of the product available. Representatives are available 8:30am-7:00pm EST Monday-Friday.

No COD's will be accepted.

HMDX does not authorize anyone, including, but not limited to, Retailers, the subsequent consumer purchaser of the product from a Retailer or remote purchasers, to obligate HMDX in any way beyond the terms set forth herein. This warranty does not cover damage caused by misuse or abuse, accident; the attachment of any unauthorized accessory; alteration to the product; improper installation; unauthorized repairs or modifications; improper use of electrical/power supply; loss of power; dropped product; malfunction or damage of an operating part from failure to provide manufacturer's recommended maintenance; transportation damage; theft; neglect; vandalism; or environmental conditions; loss of use during the period the product is at a repair facility or otherwise awaiting parts or repair; or any other conditions whatsoever that are beyond the control of HMDX.

This warranty is effective only if the product is purchased and operated in the country in which the product is purchased. A product that requires modifications or adoption to enable it to operate in any other country than the country for which it was designed, manufactured, approved and/or authorized, or repair of products damaged by these modifications is not covered under this warranty.

THE WARRANTY PROVIDED HEREIN SHALL BE THE SOLE AND EXCLUSIVE WARRANTY. THERE SHALL BE NO OTHER WARRANTIES EXPRESS OR IMPLIED INCLUDING ANY IMPLIED WARRANTY OF MERCHANTABILITY OR FITNESS OR ANY OTHER OBLIGATION ON THE PART OF THE COMPANY WITH RESPECT TO PRODUCTS COVERED BY THIS WARRANTY. HMDX AUDIO SHALL HAVE NO LIABILITY FOR ANY INCIDENTAL, CONSEQUENTIAL OR SPECIAL DAMAGES. IN NO EVENT SHALL THIS WARRANTY REQUIRE MORE THAN THE REPAIR OR REPLACEMENT OF ANY PART OR PARTS WHICH ARE FOUND TO BE DEFECTIVE WITHIN THE EFFECTIVE PERIOD OF THE WARRANTY.

NO REFUNDS WILL BE GIVEN. IF REPLACEMENT PARTS FOR DEFECTIVE MATERIALS ARE NOT AVAILABLE, HMDX AUDIO RESERVES THE RIGHT TO MAKE PRODUCT SUBSTITUTIONS IN LIEU OF REPAIR OR REPLACEMENT.

This warranty does not extend to the purchase of opened, used, repaired, repackaged and/or resealed products, including but not limited to sale of such products on Internet auction sites and/or sales of such products by surplus or bulk resellers. Any and all warranties or guarantees shall immediately cease and terminate as to any products or parts thereof which are repaired, replaced, altered, or modified, without the prior express and written consent of HMDX.

This warranty provides you with specific legal rights. You may have additional rights which may vary from state to state. Because of individual regulations, some of the above limitations and exclusions may not apply to you. For more information regarding our product line in the USA, please visit: www.hmdxaudio.com

HMDX is a trademark of HMDX.

©2013 HMDX. All Rights Reserved.

IB-HX-B710

Por manual de instrucciones e Información de garantía en español visitenos en www.hmdxaudio.com

HMDX

Service Center
1.800.753-3000

8:30 am – 7:00 pm (EST)

M – F

e-mail:  cservice@hmdxaudio.com

HMDX™

FREEDOM™ BLUETOOTH® STEREO DOCK



Please Take A Moment Now

Register

Your Product At:

www.hmdxaudio.com

Your valuable input regarding this product will help us create the products you will want in the future.

1 year LIMITED Warranty

**Instruction Manual and
Warranty Information**

Por manual de instrucciones e Información de garantía en español visitenos en www.hmdxaudio.com

HX-B710

CONGRATULATIONS ON YOUR PURCHASE.

Thank you for purchasing the HMDX Freedom Bluetooth® Sound System featuring the Apple Lightning Pin. We know you like the freedom to say what you want... that's cool, but the freedom to play and charge all your stuff...now that's awesome!

Be sure to check out the entire HMDX product line on our website www.HMDXaudio.com – Living Life Out Loud!

FREEDOM BLUETOOTH® STEREO DOCK

MAIN FEATURES

- New Apple Lightning Pin dock to charge and play the latest Apple iPad/iPhone/ iPad Mini/iPod
- Connects wirelessly using proven Bluetooth® technology with smartphones, tablets, pads and many notebooks and MP3 players
- Superior stereo speakers for enhanced bass
- Pre set clock
- USB charging port
- 3.5 mm aux in port
- Enhanced LCD display
- Dual Alarm with gradual wake
- Digital tune FM radio with station presets
- Battery backup to keep clock time and alarm settings during power outage



IMPORTANT SAFEGUARDS:

When using an electrical product, basic precautions should always be followed, including the following:

READ ALL INSTRUCTIONS BEFORE USING

- Close supervision is necessary when this product is used by, on or near children, invalids or disabled persons.
- **WARNING:** Do not place speakers too close to ears. May cause damage to ear drums, especially in young children.
- Use this product only for its intended use as described in this manual. Do not use attachments not recommended by HMDX.
- Do not place or store this product where it can fall or be dropped into a tub or sink.
- Do not place or drop into water or any other liquid.
- Not for use by children. THIS IS NOT A TOY.
- Turn off product when not in use.
- Never operate this product if it has a damaged cord, plug, cable or housing.
- Keep away from heated surfaces.
- Only set on dry surfaces. Do not place on surface wet from water or cleaning solvents.



SAVE THESE INSTRUCTIONS

CAUTION: Please read all instructions carefully before operating.

- Never leave the product unattended, especially if children are present.
- Never cover the product when it is in operation.
- This unit should not be used by children without adult supervision.
- Always keep the product away from high temperature and fire.



Battery Precautions

- Use only the size and type of batteries specified.
- When installing batteries, observe proper +/- polarities. Incorrect installation of battery may cause damage to the unit.
- Do not mix different types of batteries together (e.g., alkaline with carbon-zinc or old batteries with new ones).
- If the unit is not going to be used for a long period of time, remove batteries to prevent damage due to possible battery leakage.
- Do not dispose of batteries in fire. Batteries may explode or leak.

GETTING STARTED

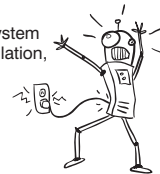
Unpack the unit carefully. Remove all the accessories from the box. Do not remove any labels or stickers on the bottom of the unit or adapter. Before setting up the unit, verify that the following items are present:

- Freedom Sound System x 1
- AC power adapter x 1
- 3.5mm audio cable x 1

POWER SOURCE (Fig. 1)

This unit is supplied with an AC adaptor; take the following steps to connect the adaptor.

1. Unwind the power cord of the AC adaptor to its full length.
2. Connect the AC adaptor to the DC IN (Fig. 1).
3. Plug the AC adaptor into an outlet (100v – 240VAC 50/60 Hz). Connecting this system to any other power source may cause damage to the system. For sufficient ventilation, keep other objects at least 4 inches away from the unit.
4. To switch the unit off completely, unplug the AC adaptor from the wall outlet.



REPLACING BACKUP BATTERY IF NEEDED

This alarm clock is equipped with a battery backup feature (batteries included and already installed) to keep the clock time and alarm during power outage.

1. Please make sure the AC adaptor is connected. Otherwise all settings may be lost during battery replacement.
2. Turn unit over and loosen the 3 Phillips-head screws that hold the Stabilizing Drawer in place.
3. Pull the Stabilizing Drawer forward to locate the round battery cover.
4. Open battery compartment door located on the bottom of the unit.
5. Insert proper replacement battery (CR2032), checking that the polarity (“+” and “-” ends of the battery) matches the drawing near the battery compartment.
6. Close the compartment door.

SETTING CLOCK TIME (Fig. 2)

PRESET CLOCK

The Freedom Sound System is equipped with a preset clock, meaning the clock will automatically set itself when first plugged in. Please note: the clock will automatically default to Eastern Standard Time.

SYNC THE CLOCK WITH YOUR IPAD/IPHONE/IPOD

1. Make sure the unit is plugged in, but powered off.
2. Dock your iPad/iPhone/iPod onto the Lightning pin dock.
3. Your clock time and date will be synchronized automatically with your iPad/iPhone/iPod.

WARNING: The dock connector is designed for Apple iPad, iPhone, and iPod devices with a Lightning connector. Attempting to attach a non-iPad/iPhone/iPod music player will damage or destroy your device and/or the product.

MANUALLY SETTING THE CLOCK (Fig. 2)

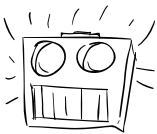
Make sure the Freedom is plugged in, but powered off.

1. Press and hold the SET button to enter Clock Setting mode. The hour will begin flashing. Use the Forward/Reverse buttons to adjust the hour, paying attention to the AM and PM indicators
2. Once the hour has been set press the SET button again and the minute will begin flashing. Use the Forward Reverse buttons to adjust the minute.
3. Press the SET button again to set the year, month and day of the week repeating the steps above.

SETTING AND USING THE ALARMS

SETTING ALARM 1 OR ALARM 2 (Fig. 2)

1. Make sure the unit is plugged in, but powered off.
2. Press and hold the desired alarm button (ALARM 1 or ALARM 2) located on the top of the unit. The hour will begin flashing.
3. Use the FORWARD and REVERSE buttons on the top of the unit to adjust the hour, paying attention to the AM and PM indicators.
4. Press the alarm button again and the minute will begin flashing. Use the FORWARD and REVERSE buttons again to adjust the minute.
5. Press the alarm button again and use the FORWARD and REVERSE buttons to select EVERYDAY, WEEKDAYS, WEEKENDS or ONE DAY settings.
6. Press the alarm button again to select the source. The Freedom's alarm can be set to Beep, Radio or Apple device using the FORWARD and REVERSE buttons.
7. Press alarm button again to adjust the maximum volume of the gradual wake feature (alarm begins soft and slowly gets louder) by using the FORWARD and REVERSE dial to adjust the sound level up or down.
8. Press the alarm button again to confirm the Alarm Setting mode.

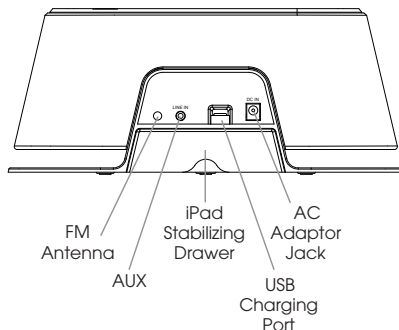


ZZZZZZZ



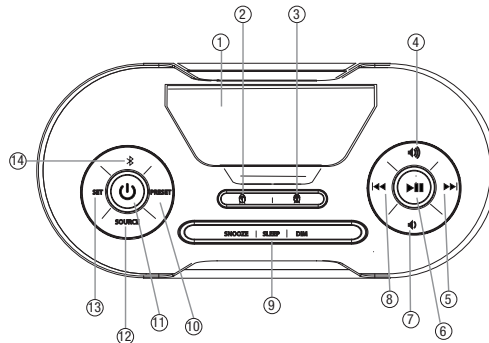
HMDX FREEDOM BLUETOOTH® STEREO DOCK CONTROLS AND CONNECTIONS:

(Fig. 1)



(Fig. 2)

- | | |
|------------------|---------------------|
| 1. Dock Door | 8. FM Tuning +/- |
| 2. Alarm 1 | 9. Snooze/Sleep/Dim |
| 3. Alarm 2 | 10. Preset |
| 4. Volume Up | 11. Power |
| 5. FM Tuning +/- | 12. Source |
| 6. Play/Pause | 13. Set |
| 7. Volume Down | 14. Bluetooth® |



TURNING OFF THE ALARM / SNOOZE OPERATION (Fig. 2)

The Freedom is equipped with gradual wake, which means that the alarm begins soft and slowly gets louder. This will ensure a non-jarring wakeup.

- Press the Snooze bar for three seconds located on the top of the unit and the alarm will sound again in nine minutes.

NOTE: You may only press the Snooze button during the Alarm mode for one hour (7 times). After the seventh time, the alarm will turn off and will not sound again until the next set time.

- To turn off the alarm, press any button on the top of the unit (except Snooze).



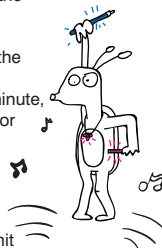
ONE DAY ALARM (HOTEL SETTING)

This alarm clock is equipped with a 1-Day Alarm feature, which allows the alarm to be set for one day only. To activate this feature:

1. Turn unit over and loosen the 3 Phillips-head screws that hold the Stabilizing Drawer in place.
2. Pull Stabilizing Drawer forward and locate the switch marked HOTEL.
3. Move the HOTEL switch located on the bottom of the unit to the ON position. Once this switch is in the ON position, the alarm time will need to be reset. Please see the **Setting and Using the Alarms** section for instruction.

Please note:

- When the 1-Day alarm feature is activated, the alarm will only sound once. Once the alarm is turned OFF, it will not sound again until the alarm is reset.
- When setting the alarm for a 1-Day alarm, you will be prompted to set the hour, minute, and alarm source, but will NOT be prompted to set the EVERYDAY, WEEKDAYS, or WEEKEND alarm as this feature will be disabled for **both alarms**.



iPAD/iPHONE/iPOD OPERATION (Fig. 2)

Please Note:

- If docking an iPad, be sure to pull out the Stabilizing Drawer on the back of the unit to add stability when the iPad is docked.
- To avoid damage, do not force the device onto the Lightning docking pin.

WARNING: The dock connector is designed for Apple iPad, iPhone, and iPod devices with a Lightning connector. Attempting to attach a non-iPad/iPhone/iPod music player will damage or destroy your device and/or the product.

LISTENING TO MUSIC FROM YOUR iPAD/iPHONE/iPOD (Fig. 2)

1. Press the POWER button, located on top of the unit to turn ON.
2. Open the dock door and lift up the Lightning connector.
3. Fit iPad/iPod/iPhone carefully onto the Lightning connector.
4. Press POWER button ON.
5. Press the SOURCE button on the unit until the "iPhone" appears on the display.
6. Press the PLAY/PAUSE button on the unit to play and again to pause.
7. To skip forward and backward through tracks, press the Previous Track and Next Track buttons on the unit.
8. To turn the unit OFF, press the POWER button. Note: For your convenience, your device will continue charging on the dock while the unit is plugged in, even if the power is turned off.

CHARGING YOUR APPLE DEVICE WHILE DOCKED

1. Ensure your Apple device is equipped with a Lightning pin connector.

NOTE: For Apple devices with a 30 pin connector, use the USB port on back of unit to charge.

2. Fit the Apple device carefully onto the docking pin.
3. Once connected, your device will begin charging. To confirm, check the charging indicator located in the upper right-hand corner of your device.



LISTENING TO A NON-DOCKING IPOD OR OTHER PORTABLE AUDIO DEVICES (Fig. 2)

1. Plug the 3.5mm audio cable (included) into the device via the AUX input located on the back of the unit.
2. Plug the other end of the audio cable into the AUX or headphone jack of the device.
3. Press the POWER button located on top of the dock.
4. Press the SOURCE button on the unit until the AUX icon appears on the display.
5. Press play on the connected device.

NOTE: You may need to adjust the volume on the device to achieve proper volume.

6. Press the POWER button to turn unit off.

NOTE: PLAY/PAUSE and TRACK FWD/BACK will not work with AUX input.



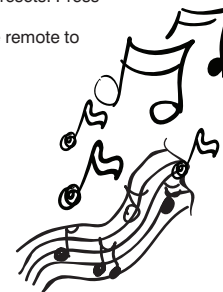
LISTENING TO THE RADIO (Fig. 1 & 2)

NOTE: For best reception, fully extend the wire antenna. DO NOT strip, alter or attach to other antennas.

1. To listen to the radio, press the POWER button located on top of the unit.
2. Press the SOURCE button on the unit until a radio station appears on the display.
3. Use the FORWARD and REVERSE buttons on the top of the unit to select desired station.
4. Press the POWER button to turn unit off.

TO SET/LISTEN TO STATION PRESETS (Fig. 2)

1. While in radio mode, use FORWARD and REVERSE buttons to select desired station.
2. Press the SET button on the top of the unit to add the station to your presets. Press the PRESET button again to confirm.
3. To listen to station presets, press the PRESET button on the unit or the remote to toggle through/select a preset station



LISTENING TO YOUR DEVICE WIRELESSLY OVER BLUETOOTH®

To connect to Bluetooth®

1. Press the POWER button located on top of the Unit.
2. Press the Source button on top of unit until "BT" icon image appears on the LCD screen.
3. Unit will appear as "HMDX FREEDOM" on your device.
4. Follow the instructions of your device to pair the unit.
5. Freedom will sound a hint tone once pairing has occurred and Link will show on LCD display.
6. Press the PLAY/PAUSE button on the unit to play and again to pause.
7. To skip forward and backward through tracks, press the Previous Track and Next Track buttons on the unit.

NOTE: A pairing code is not required.

DISPLAY DIMMER CONTROL (Fig. 2)

Press the Snooze bar to adjust the backlight intensity of clock display. The power needs to be off to use the dimmer control.

USB CHARGING PORT

- The USB port is for charging only. It cannot be used to play music through the unit.
- In order to use the USB charging feature, you must have the proper cord to connect to your device with a USB connector on the other end.

To charge your device using the USB charging port (located on the back of the unit):

1. Connect the USB type A end of the device's cable into the USB port on the rear of the Freedom.
2. Connect the other end of the USB cable to your device to begin charging.

VOLUME CONTROL (Fig. 2)

To adjust the volume, press the "◀" and "▶" controls on the top of the unit.

SLEEP FEATURE

While listening to music, press the Snooze button to activate the sleep feature. This allows you to set a sleep timer for 90, 80, 70...10, or 5 minutes. Once set, the unit will continue playing for the set length of time, then will automatically turn off.

MAINTENANCE

To Store: You may leave the unit on display, or you can store it in its box in a cool, dry place.

To Clean: Use only a soft dry cloth to clean the enclosure of the unit.

NEVER use liquids or abrasive cleaner to clean.

FCC DISCLAIMER

NOTE: This device complies with part 15 of the FCC Rules. Operation is subject to the following two conditions: (1) This device may not cause harmful interference, and (2) this device must accept any interference received, including interference that may cause undesired operation.

NOTE: This equipment has been tested and found to comply with the limits for a Class B digital device, pursuant to part 15 of the FCC Rules. These limits are designed to provide reasonable protection against harmful interference in a residential installation. This equipment generates, uses and can radiate radio frequency energy and, if not installed and used in accordance with the instructions, may cause harmful interference to radio communications. However, there is no guarantee that interference will not occur in a particular installation. If this equipment does cause harmful interference to radio or television reception, which can be determined by turning the equipment off and on, the user is encouraged to try to correct the interference by one or more of the following measures:

- Reorient or relocate the receiving antenna.
- Increase the separation between the equipment and receiver.
- Connect the equipment into an outlet on a circuit different from that to which the receiver is connected.
- Consult the dealer or an experienced radio/TV technician for help.

Changes or modifications not expressly approved by HDMX could void the user's authority to operate the equipment.

Por manual de instrucciones e Información de garantía en español visítenos en www.hmdxaudio.com

