

HMDX DYNAMITE

USER GUIDE

AND WARRANTY INFORMATION

HEY THERE!

Thank you for purchasing the **HMDX Dynamite**. Check out the sections below for all the important information about your new speaker.

WE'RE HERE TO HELP. CONTACT US!

You've got questions? We've got answers.

Contact a Consumer Relations representative by phone or email to help answer any questions. Please be sure to have the model number of your product available. (Hint: It's HX-P340)

Register your speaker! Information about where you bought it and how you're using it is like gold for the people who make these speakers.

USA: www.hmdxaudio.com/customer-support/product-registration

CAN: www.hmdxaudio.ca/product-registration

USA

✉ cservice@hmdxaudio.com

☎ 1.800.753.3000
8:30am–7:00pm EST M–F

CANADA

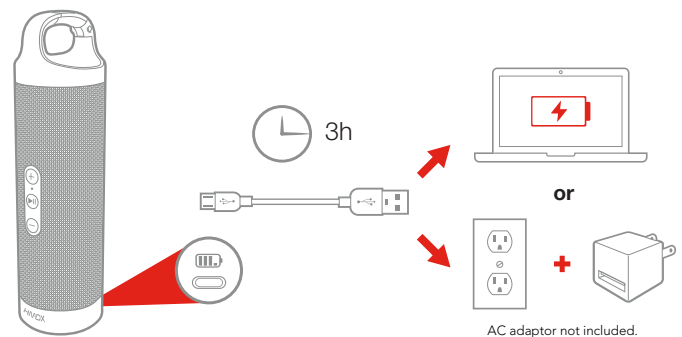
✉ cservice@homedicsgroup.ca

☎ 1.888.225.7378
8:30am–5:00pm EST M–F

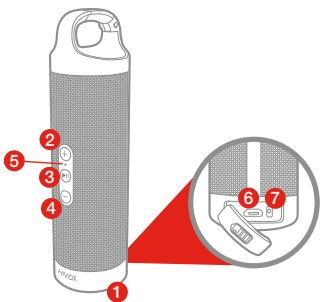
JUST CHARGE IT

Charging the speaker is so easy you've probably figured it out by now, but just in case, you've got two options: you can charge it using your computer or a wall outlet. The Dynamite needs about 3 hours for up to 5 hours of party time.

1. The cord that came with the speaker — the one with the USB on one end and the micro USB on the other — will work with your computer.
2. If you want to use the wall outlet, you'll need to pick up a power cord with a micro USB the next time you're at the store, or use any USB AC adaptor, including the one for your cell phone.



CONTROL YOUR DESTINY ... OR AT LEAST YOUR SPEAKER



1. The power button is on the bottom of the speaker.
2. Turn the music up or jam on to the next song.
3. Push it to play, push it again to pause.
4. Turn the music down or skip back a track.
5. Shows you when *Bluetooth* is connected.
6. The power cord goes here.
7. Check how much juice is in the battery.

SHED SOME LIGHT

Bluetooth Light

- Pairing Mode
- Connected

Battery Light

- Charging
- Ready to Party

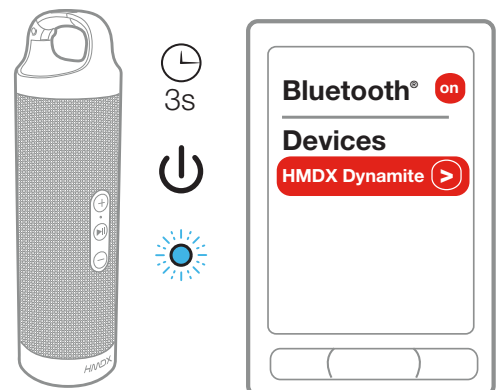
BLUETOOTH® CONNECTION – IT'S A SETUP

Like any amazing couple, this one starts with a connection — one between your device and the speaker's *Bluetooth*. Here's how it works:

1. Make sure the smartphone, tablet, or computer you're using with the speaker has *Bluetooth*.
2. Turn on the speaker and look for the little blinking light.
3. Do whatever your device needs to do on its end.
4. Look for HMDX Dynamite in your device's *Bluetooth* list or click YES.
5. Now hit PLAY on your speaker and crank it up — or down if you're lame.

The device and *Bluetooth* will find each other every time as long as the speaker is set to *Bluetooth* and your device's *Bluetooth* is, you know, on.

Continued on page 2.



BLUETOOTH® CONNECTION, CONTINUED

If you're connecting to a computer, you may have some extra steps on that end. You'll have to get that information from the computer company.

Depending on your device, you may be prompted to enter a pairing code. If prompted, enter "0000" as the code.

To disable pairing of an existing device and pair a new device, press and hold the + and - buttons for 5 seconds to activate pairing mode.

Note: If you turn on your Dynamite but haven't started the party yet, it will automatically power off after 2 minutes of unpaired inactivity.

Note: Once you've paired, if you pause the party for 15 minutes or more, the Dynamite will automatically shut off to preserve battery power.



HELLO? SPEAKERPHONE? YES!

When friends call asking to join the party — and you know they will — answer the phone without disconnecting from your HMDX Dynamite. Yes, that's right. Your speaker is a speakerphone too. How amazing is that? Here's how it works:

1. Make sure your phone and speaker are connected through Bluetooth.
2. Answering and ending a call works the same way: simply click the PLAY/PAUSE button on your Dynamite.

3. If you'd rather not talk, hold down the PLAY/PAUSE button on your Dynamite for 3 seconds to ignore the call.

THE COOLEST PART: The Dynamite knows when a call is coming in and pauses the music before ringing. When you hang up, the music starts where it left off — and so does the party. If it's you making the call, just start dialing from your phone, and the Dynamite automatically does its hands-free thing. Isn't it refreshing to know your speaker totally gets you?

Check out the chart below for a complete guide on handling calls with your Dynamite.

Situation	Short Press Play/Pause Button	Long Press Play/Pause Button
1 st Incoming call	Pick up call	Reject call
On call	End call	Move call from speaker to device
2 nd Incoming call	Call 1 on hold, pick up call 2	Reject call 2
Both calls active	Hang up call 1, switch to call 2	Switch between 1 st call and 2 nd call

COMING CLEAN

A soft, dry towel is all you need to clean off your speaker. Using water, harsh cleaners, or anything else only starts messing with the mechanics inside. So, yeah, don't do it.

STUFF THE GOVERNMENT MAKES US SAY

FCC Disclaimer:

Note: This device complies with part 15 of the FCC Rules. Operation is subject to the following two conditions: (1) This device may not cause harmful interference, and (2) this device must accept any interference received, including interference that may cause undesired operation.

Note: This equipment has been tested and found to comply with the limits for a Class B digital device, pursuant to part 15 of the FCC Rules. These limits are designed to provide reasonable protection against harmful interference in a residential installation.

This equipment generates, uses, and can radiate radio frequency energy and, if not installed and used in accordance with the instructions, may cause harmful interference to radio communications. However, there is no guarantee that interference will not occur in a particular installation.

If this equipment does cause harmful interference to radio or television reception, which can be determined by turning the equipment off and on, the user is encouraged to try to correct the interference by one or more of the following measures:

- Reorient or relocate the receiving antenna.
- Increase the separation between the equipment and receiver.
- Connect the equipment into an outlet on a circuit different from that to which the receiver is connected.
- Consult the dealer or an experienced radio/TV technician for help.

Note: Changes or modifications not expressly approved by HMDX could void the user's authority to operate this equipment.

IC Caution: RSS-GEN Issue 4 November 2014

This device complies with Industry Canada's licence-exempt RSSs.

Operation is subject to the following two conditions: (1) This device may not cause interference, and (2) This device must accept any interference, including interference that may cause undesired operation of the device.

1 YEAR LIMITED WARRANTY

For detailed warranty instructions and information, visit:

USA: www.hmdxaudio.com/customer-support/warranty-1yr

CAN: www.hmdxaudio.ca/warranty-1yr

To obtain warranty service on your HMDX product, contact a Consumer Relations representative by telephone or email for assistance (you can find their contact info on page 1). Please make sure to have the model number of the product available.

STUFF OUR LAWYERS MAKE US SAY

IMPORTANT SAFEGUARDS:

When using an electrical product, basic precautions should always be followed, including the following:

READ ALL INSTRUCTIONS BEFORE USING

- **WARNING:** Do not place speakers too close to ears. May cause damage to eardrums, especially in young children.
- Use this product only for its intended use as described in this manual. Do not use attachments not recommended by HMDX.
- HMDX is not liable for any damage caused to smartphones, iPod/MP3 players, or any other device.
- Do not place or store this product where it can fall or be dropped into a tub or sink.
- Do not place or drop into water or any other liquid.
- Not for use by children. THIS IS NOT A TOY.
- Never operate this product if it has a damaged cord, plug, cable or housing.
- Keep away from heated surfaces.
- Only set on dry surfaces. Do not place on surface wet from water or cleaning solvents.

Attention California Residents:

WARNING: This product contains chemicals known to the State of California to cause cancer, birth defects, and other reproductive harm.

A MESSAGE FROM THE ENVIRONMENT

WARNING:

This product has an internal, non-replaceable lithium battery. Please dispose in accordance with your local, state, province, and country guidelines.

This product contains small parts that may present a choking hazard for young children.

CAUTION: All servicing of this product must be performed by authorized HMDX Audio Service Personnel only.